

SUPER RECORD ROAD GROUP	pages 6-7
SUPER RECORD GEAR - RECORD FRONT CHANGER AND ALTERNATIVE RECORD CONTROL LEVERS	pages 8-9-10-11
SUPER RECORD ROAD HUBS	page 12
SUPER RECORD ROAD PEDALS	page 13
SUPER RECORD CHAINWHEEL SET - ROAD BOTTOM BRACKET SET	pages 14-15
SUPER RECORD ROAD HEAD SET SUPER RECORD SEAT PINS	page 16
FORK ENDS - SPECIAL CONNECTORS	page 17
SUPER RECORD BRAKES	pages 18-19

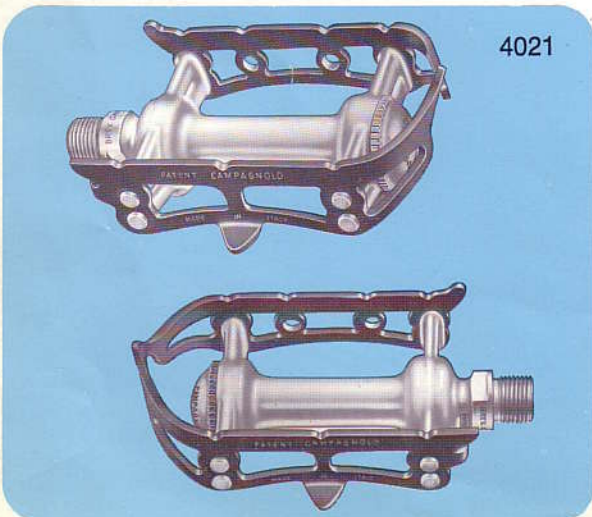
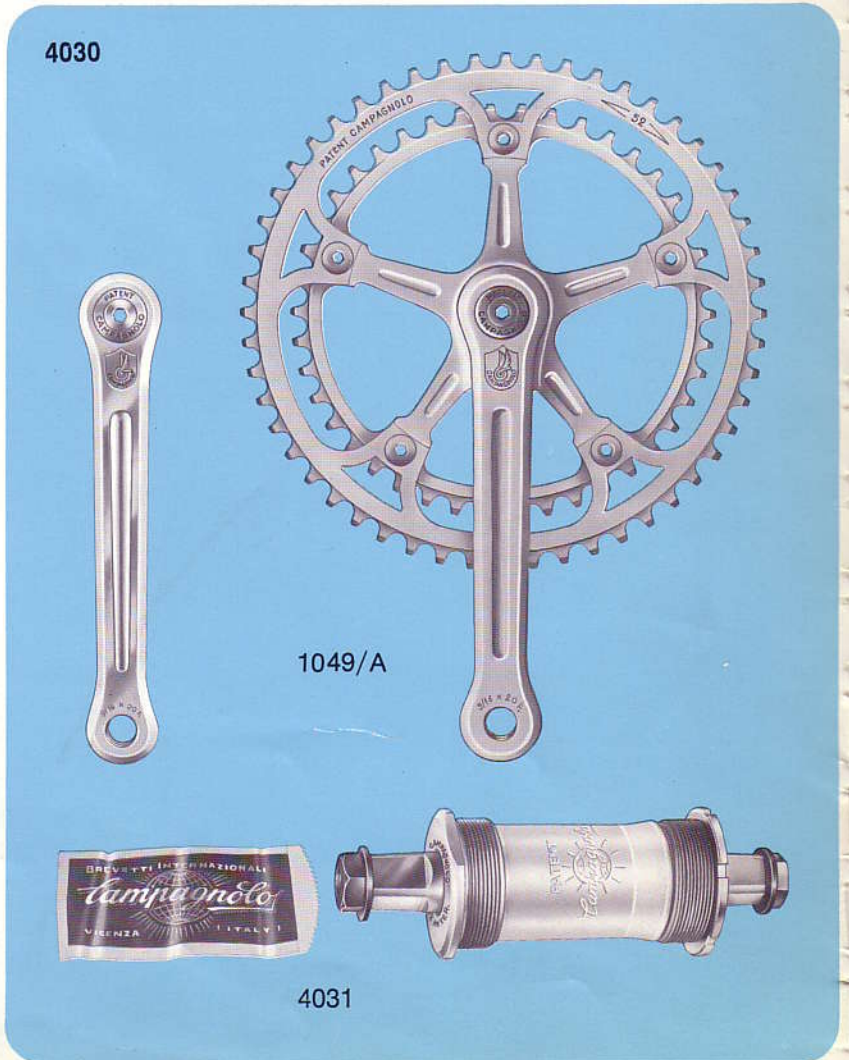
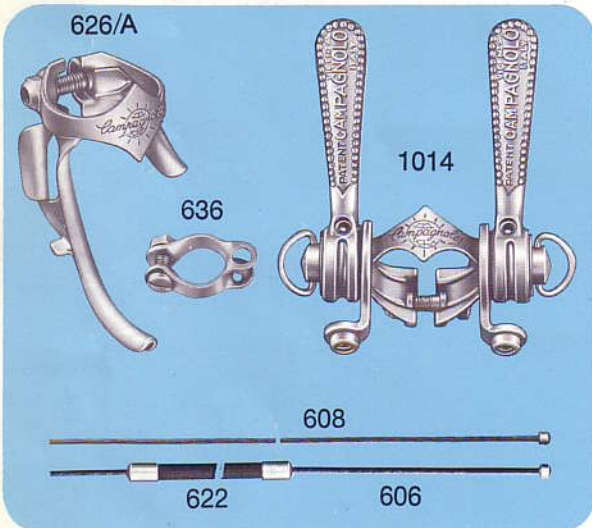
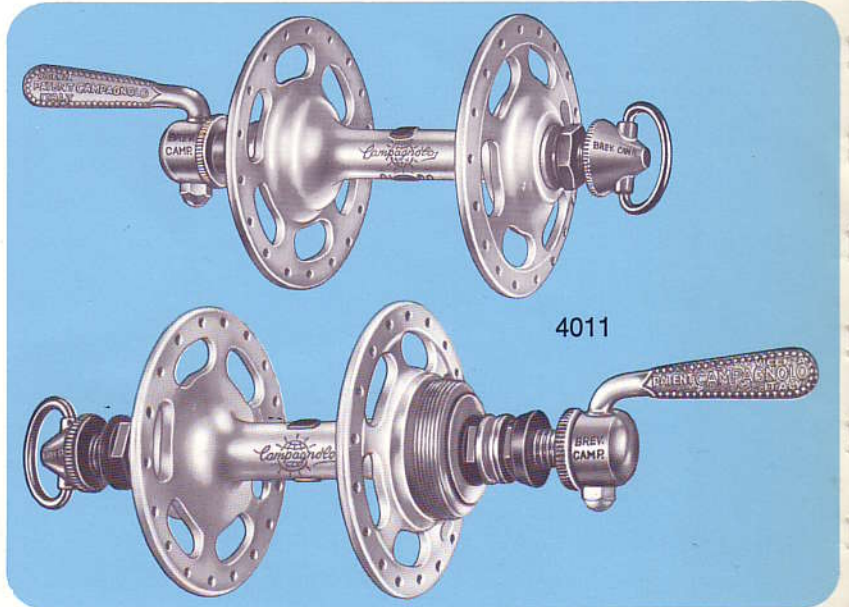
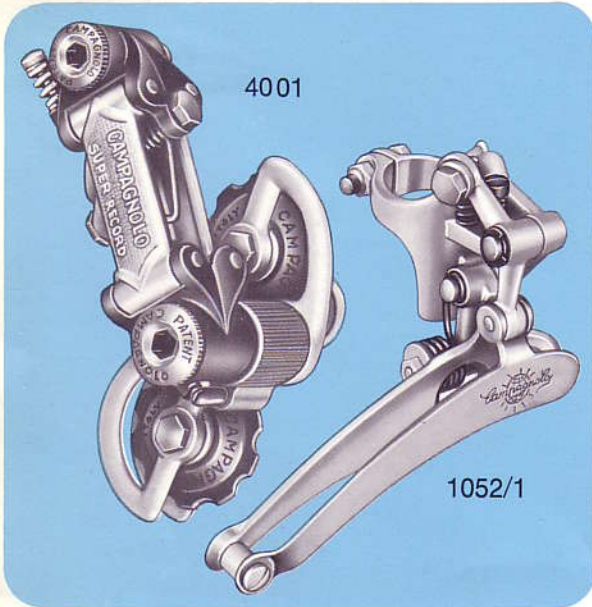


# 4000/F CAMPAGNOLO SUPER RECORD ROAD GROUP

(Particular components of this group are illustrated from page 8 to page 19)



- 606 Down tube control gear inner wire (118 cm.)
  - 608 Down tube control front changer inner wire (72 cm.)
  - 622 Gear stainless steel outer casing (21 cm.)
  - 626/A Twin gear cable clip
  - 636 Chainstay clip
  - 649 Stainless steel brake cable clip
  - 1010/A Set Record front and rear fork ends without eyelet
  - 1014 Twin down tube control lever.
  - 1030/2 Pump connector
- 1049/A Super Record road chainset (with cranks 170 mm. pedal hole  $\varnothing$  9/16" x 20 F. and chainrings for chain 1/2" x 3/32" [2 mm.]). Specify the number of teeth of the chainrings available from 42T to 57T. Upon request are furnished cranks with lengths 165 - 167,5 - 172,5 - 175 - 177,5 and 180 mm.





1052/1 Record front changer  
4001 Super Record gear  
(without hanger)

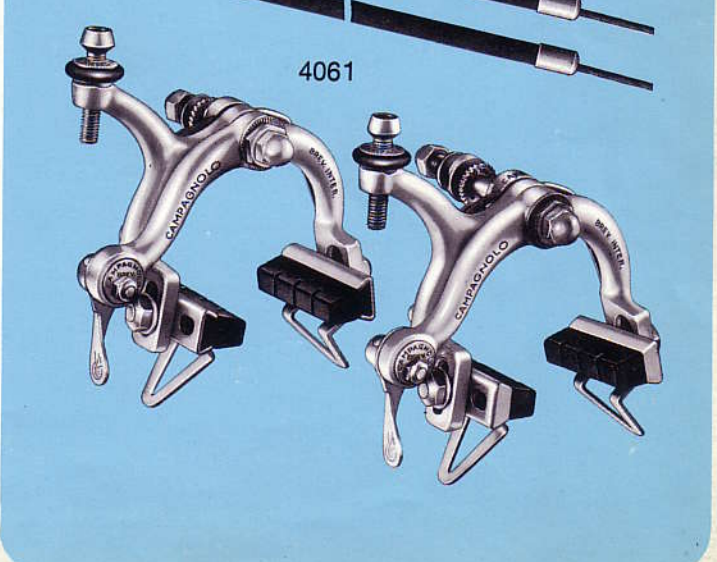
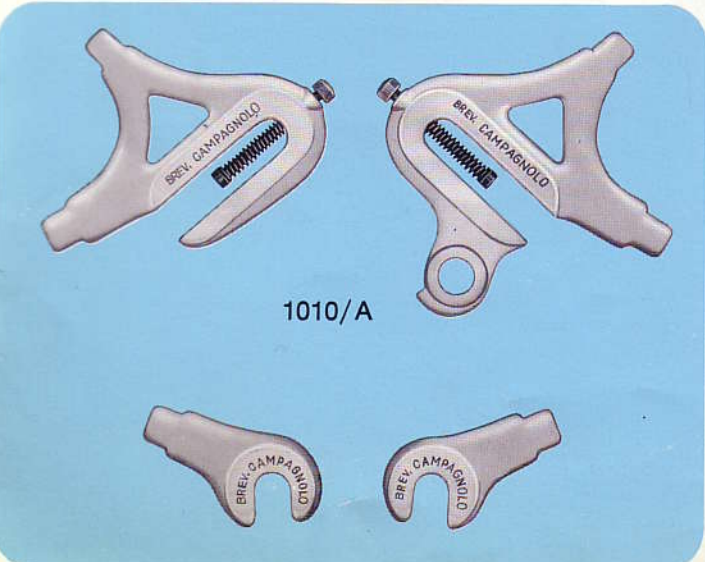
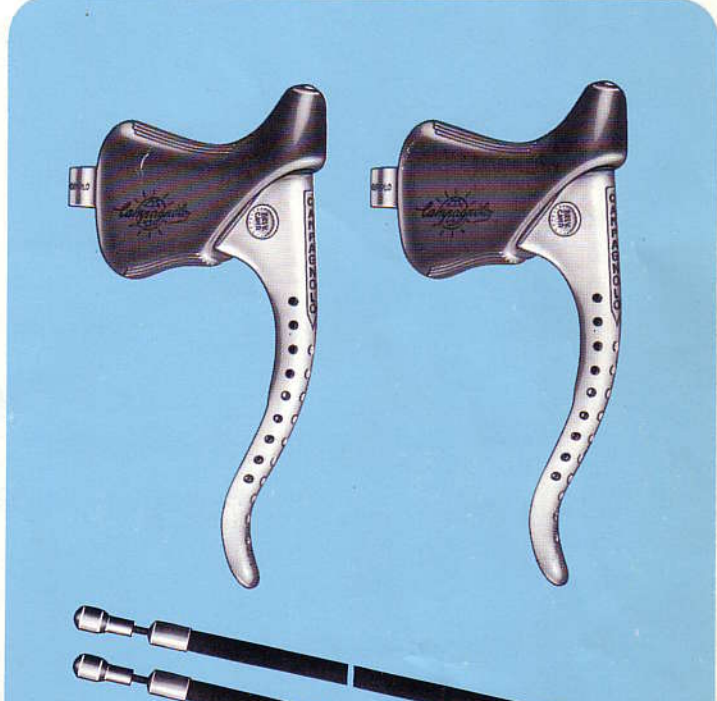
4011 Pair Super Record large flange  
quick release road hubs with  
Titanium spindle (front width  
100 mm. - rear width 120 mm.,  
flanges with 36 holes,  
thread  $\varnothing$  35 x 24F.).  
Upon request furnished with  
rear hub suitable for  
6 sprockets, width 125 mm.,  
flanges with 24 - 28 - 32 - 40

4021

holes, thread  $\varnothing$  34.7 x 1 M. or  
 $\varnothing$  1,370" x 24 Tpi-BSC.  
See other alternatives on page 12  
Pair Super Record road pedals  
with Titanium spindle  
(spindle thread  $\varnothing$  9/16 x 20F.).  
The pedals are supplied with  
unassembled screws and washers  
for fixing toe clips  
4030 Super Record road chainwheel  
set  
4031 Super Record bottom bracket  
road set with Titanium spindle  
(bracket width 70 mm. and cups

4041

threaded  $\varnothing$  36 x 24F.).  
See alternatives on pages 14-15  
Super Record road head set  
(thread 25,4 x 24F.).  
Upon request furnished with  
thread  $\varnothing$  25 x 1M. or  
 $\varnothing$  1" x 24 Tpi-BSC  
4051 Super Record seat pin.  
(pin length 147 mm.)  
Specify diameter stem: 25 -  
25,8 - 26 - 26,2 - 26,4 - 26,6 - 26,8  
- 27 - 27,2 - 27,4 mm.  
4061 Set Super Record brakes.  
See alternatives on pages 18-19

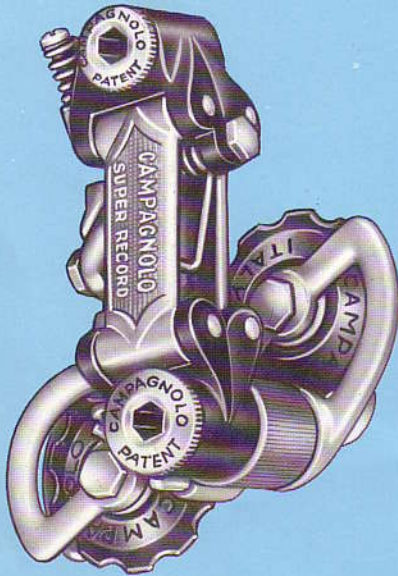




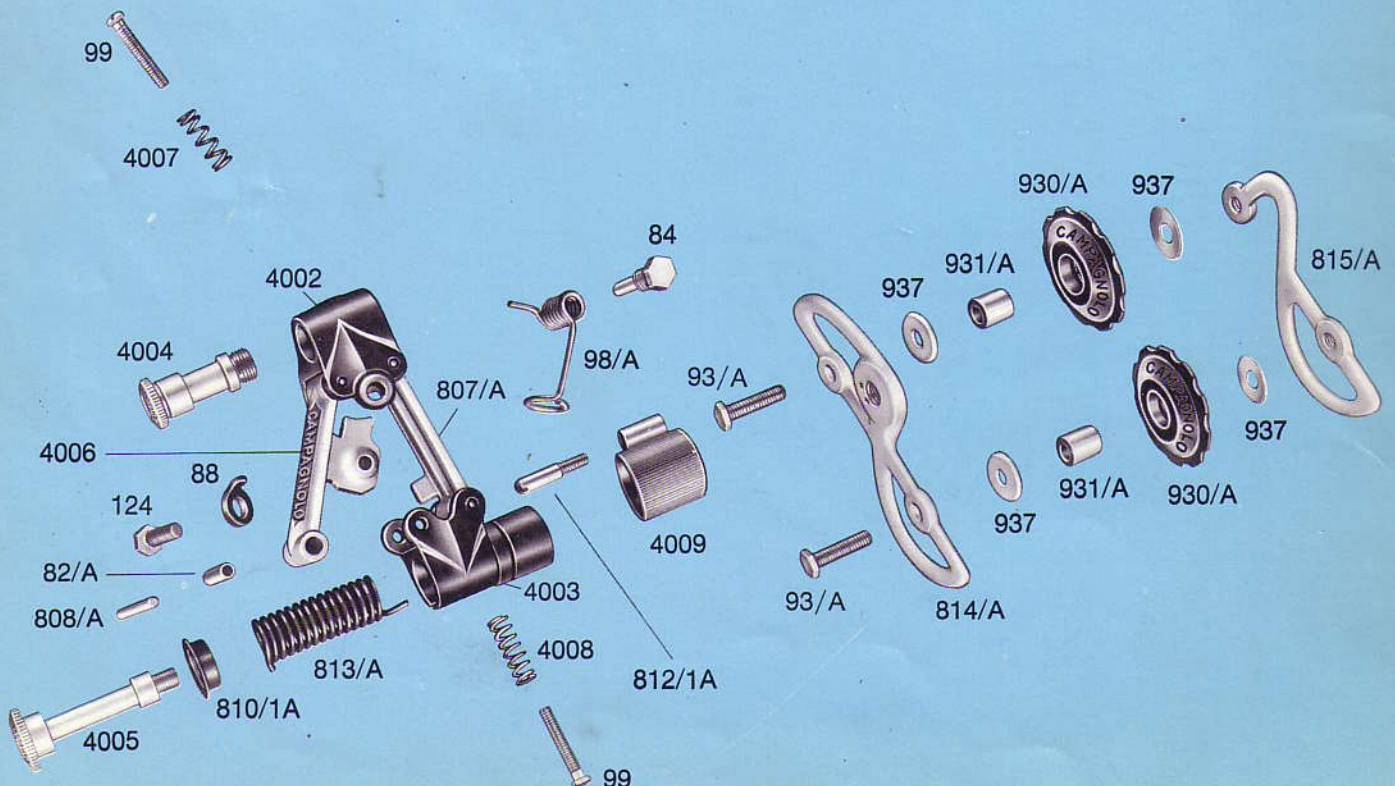
# PARTICULAR COMPONENTS OF CAMPAGNOLO SUPER RECORD ROAD GROUP 4000/F

- 4001 Super Record gear
- 82/A Body ferrule
- 84 Gear return spring screw
- 88 Clamp washer
- 93/A Sprocket bolt
- 98/A Gear return spring
- 99 Gear adjusting screw
- 124 Fixing screw
- 807/A Inner arm
- 808/A Spindle
- 810/1A Lower body bush
- 812/1A Grub screw
- 813/A Tension spring

- 814/A Outer cage plate
- 815/A Inner cage plate
- 930/A Roller
- 931/A Roller bush
- 937 Roller dust cover
- 4002 Upper body
- 4003 Spring cage
- 4004 Upper pivot Titanium bolt
- 4005 Spring cage Titanium bolt
- 4006 Front arm
- 4007 Adjusting bolt upper spring
- 4008 Adjusting bolt lower spring
- 4009 Spring cage cover



4001

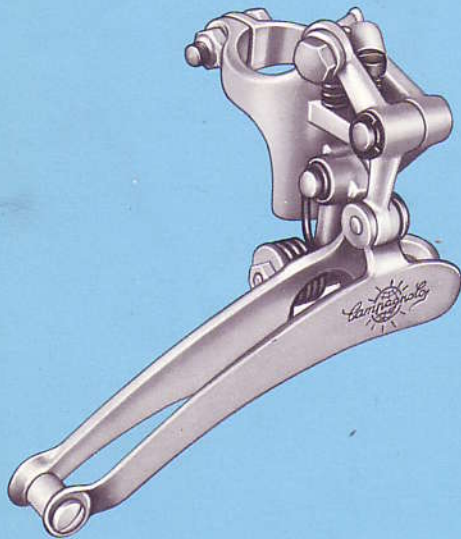




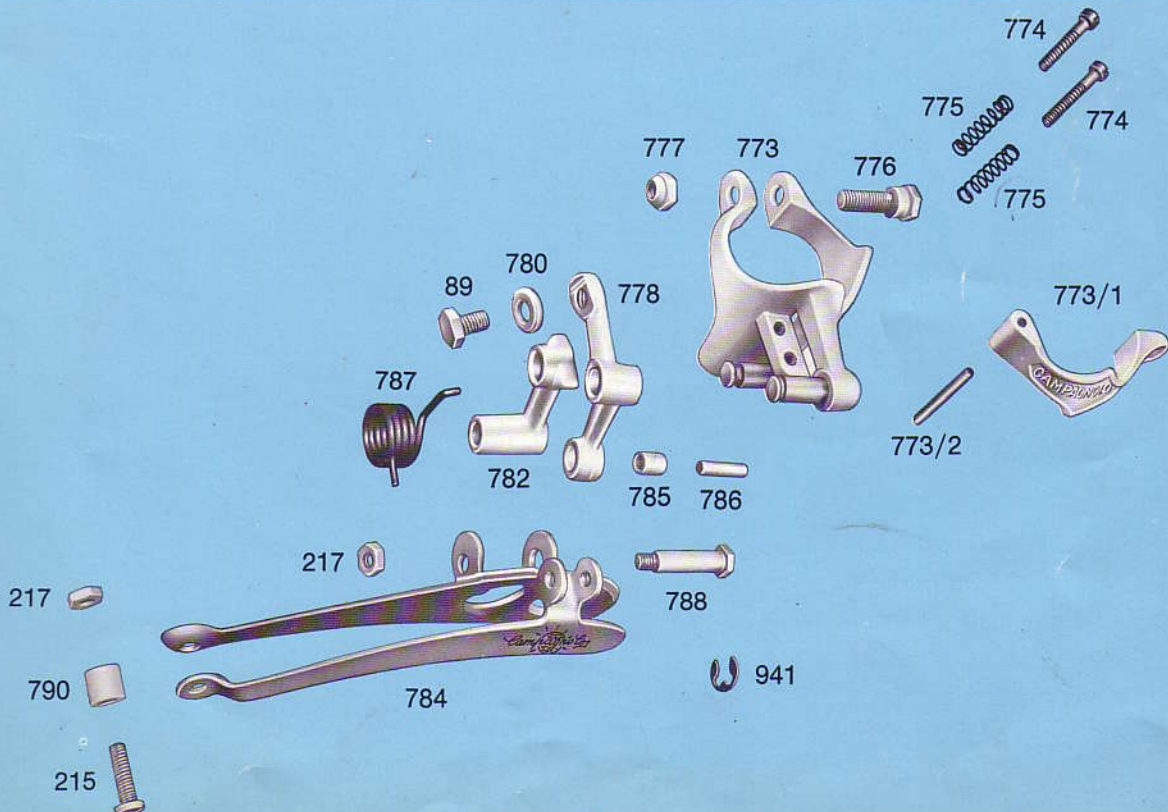
**PARTICULAR  
COMPONENTS  
OF CAMPAGNOLO  
SUPER RECORD  
ROAD GROUP  
4000/F**

- 1052/1 Record front changer
- 89 Clamp washer
- 215 Cage spanner bolt
- 217 Nut
- 773 Record front changer body (complete with clip and hinge)
- 773/1 Hinge
- 773/2 Hinge pin
- 774 Adjusting screw
- 775 Adjusting bolt spring
- 776 Clip fixing screw

- 777 Clip nut
- 778 Upper arm
- 780 Cable clamp bolt washer
- 782 Lower arm
- 784 Front changer cage
- 785 Ferrule for front changer cage
- 786 Spindle for front changer cage
- 787 Front changer return spring
- 788 Cage shank bolt
- 790 Bush
- 941 Circlip



1052/1

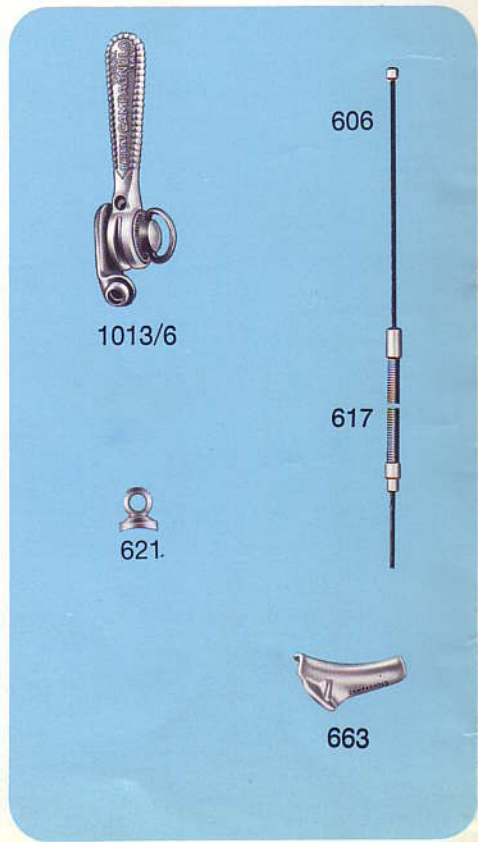
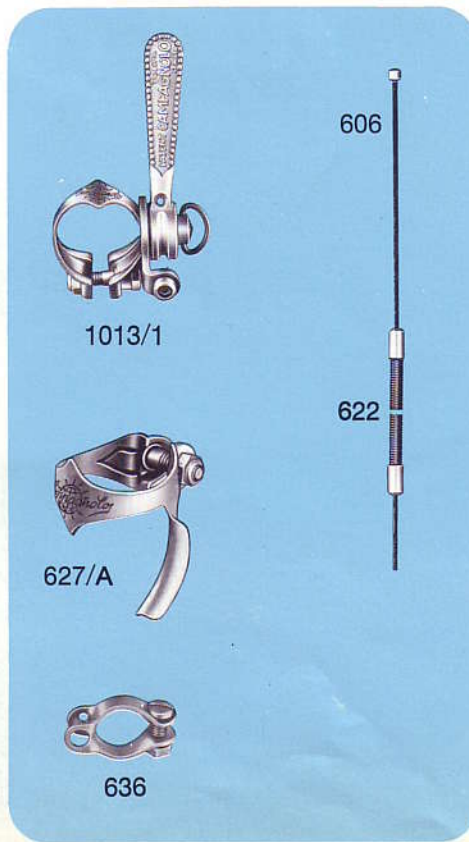
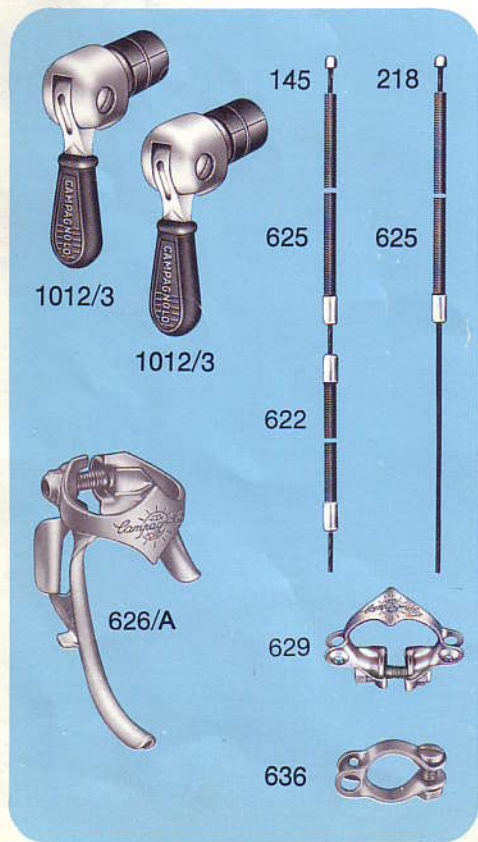
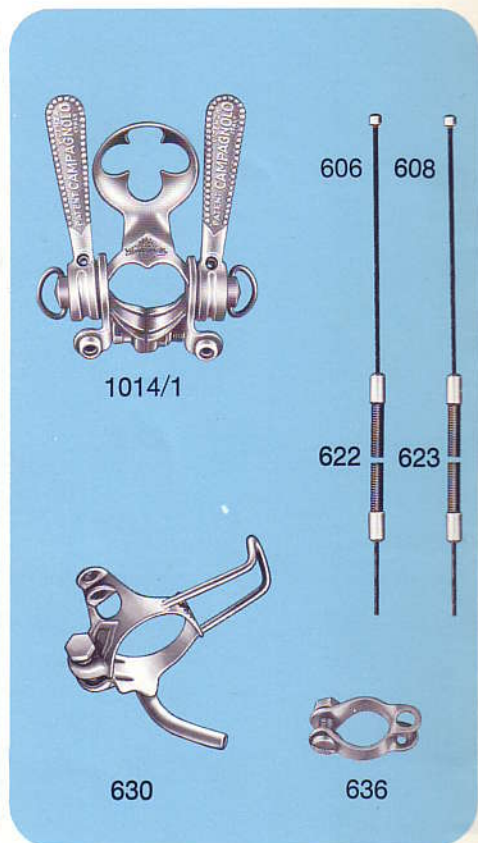
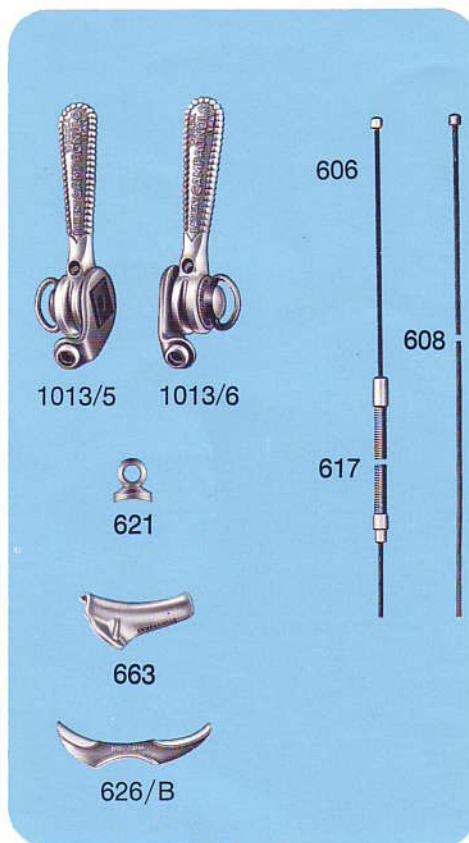
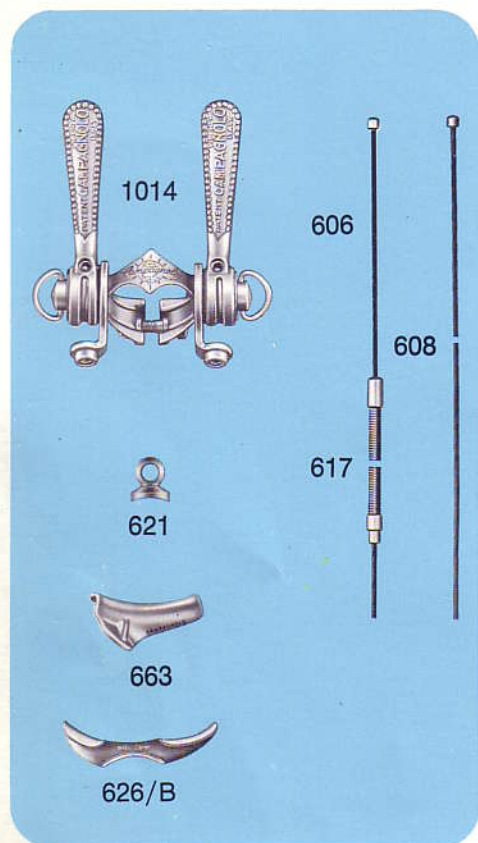




# PARTICULAR COMPONENTS OF CAMPAGNOLO SUPER RECORD ROAD GROUP 4000/F

- 137 Segment expanding screw
- 138 Segment
- 139/1 Counter-nut
- 139/2 Hexagonal screw
- 140/1 Tension adjusting screw
- 142 Spring segment holder
- 145 Gear cable to handlebar control (197 cm.)
- 173 Handlebar lever rubber
- 174 Handlebar friction plate
- 174/1 Lever friction plate
- 200/2 Handlebar control body
- 201 Handlebar lever

- 218 Front changer cable to handlebar control (150 cm.)
- 600 Right hand collar (without screw and nut)
- 600/2 Right hand braze-on control lever plate
- 601 Gear control lever only
- 602 Front changer control lever only
- 603 Cover plate
- 604/1 Friction adjusting wing nut
- 606 Down tube control gear inner wire (118 cm.)

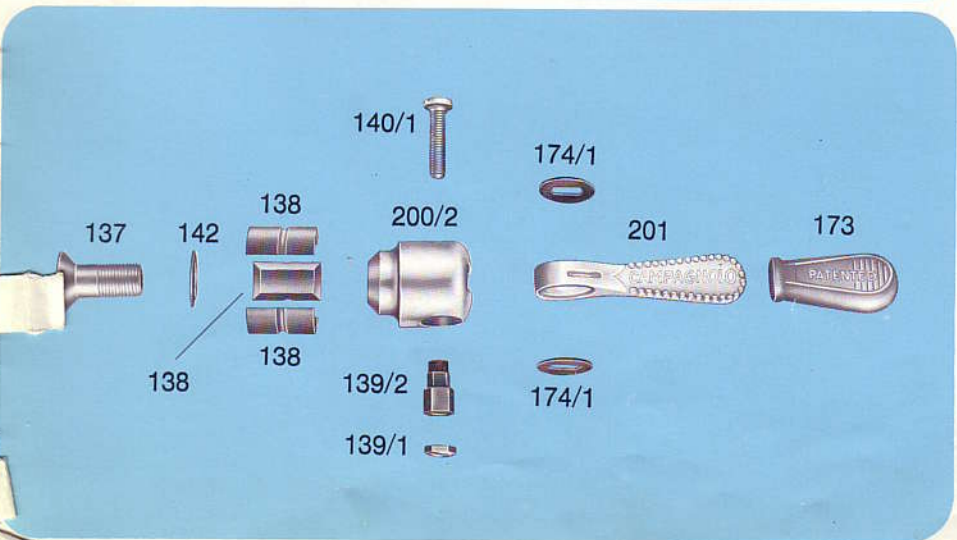
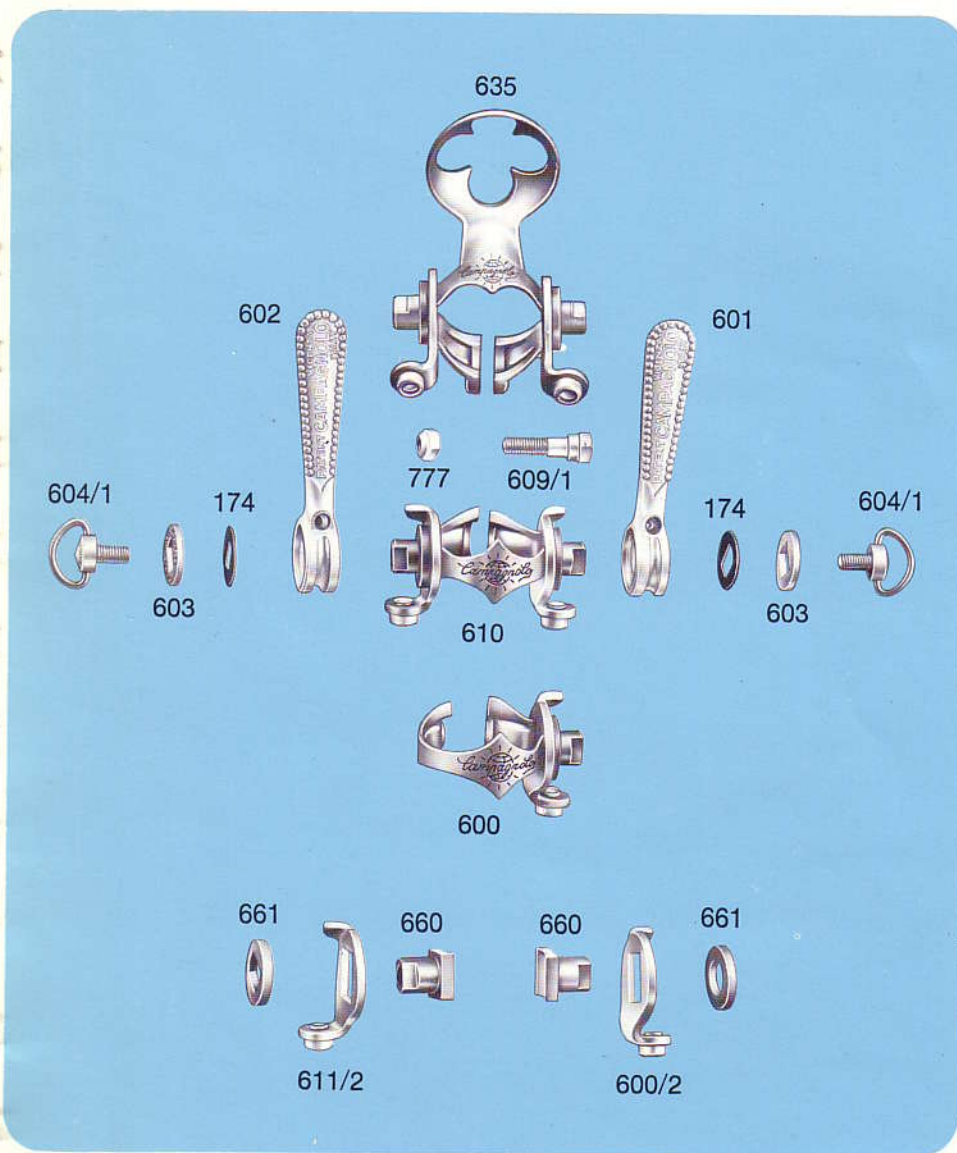




- 608 Down tube control front changer inner wire (72 cm.)
- 609/1 Fixing clip bolt
- 610 Record twin control clip
- 611/2 Left hand braze-on control lever plate
- 617 Braze-on gear stainless steel outer casing (21 cm.)
- 621 Braze-on cable stop
- 622 Gear stainless steel outer casing (21 cm.)
- 623 Front changer stainless steel

- 625 outer casing (15,5 cm.)
- 626/A Stainless steel outer casing to down tube handlebar control (75 cm.)
- 626/B Twin gear cable clip
- 627/A Braze-on cable ferrule
- 629 Down tube tunnel R/H for gear
- 630 Twin handlebar control clip
- 635 Clip-on-tunnel and stop with pump holder D/T

- 636 Chainstay clip
- 660 Braze-on boss
- 661 Brazed boss collar
- 663 Braze-on cable ferrule
- 777 Clip nut
- 1012/3 Handlebar control
- 1013/1 Right hand down tube control
- 1013/5 Front changer braze-on control
- 1013/6 Gear braze-on control
- 1014 Twin down tube control lever
- 1014/1 Twin down tube control lever with pump clip

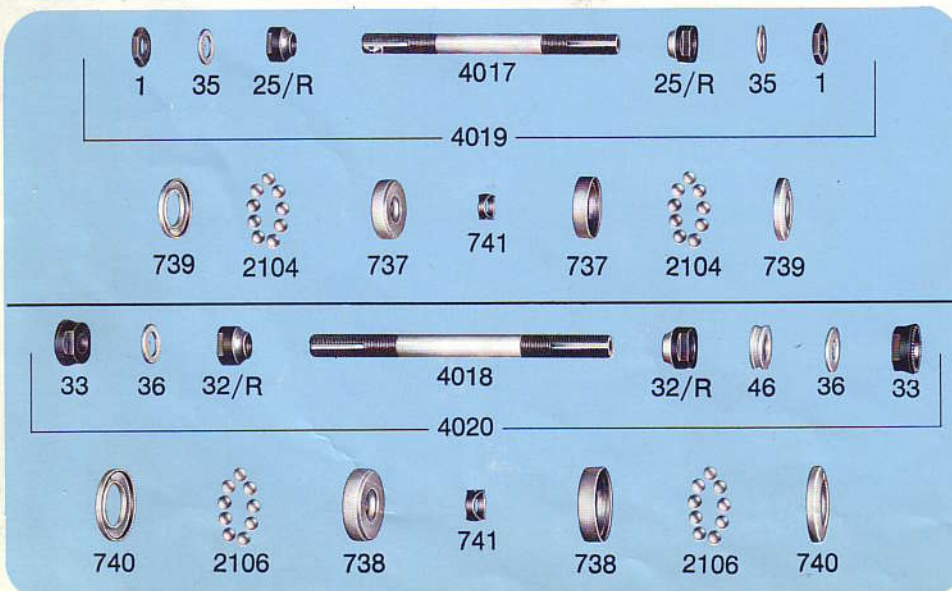
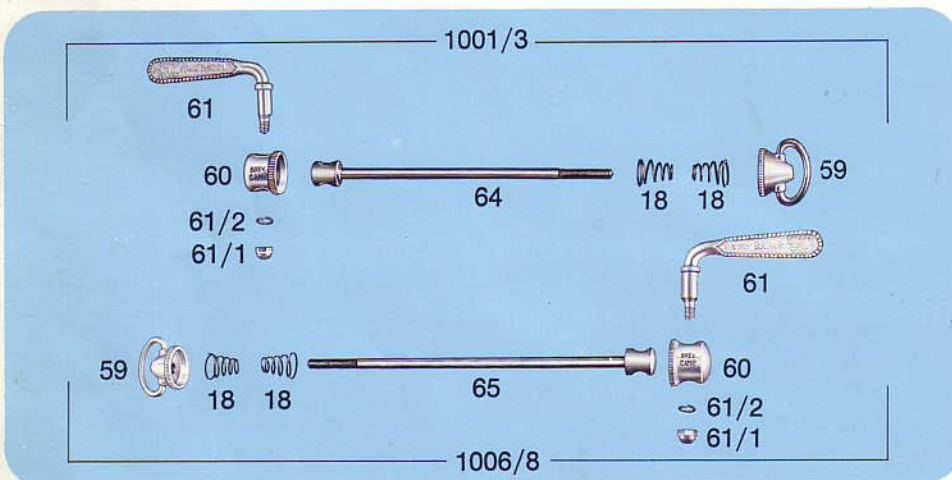
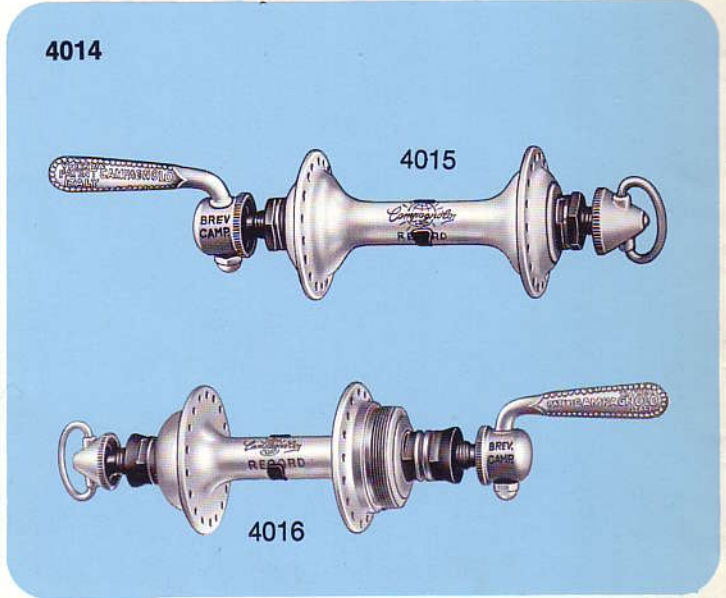
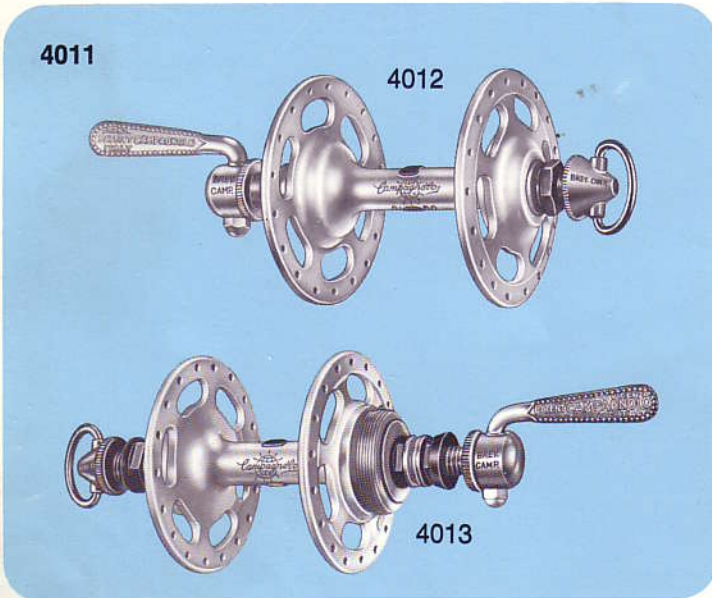




# PARTICULAR COMPONENTS OF CAMPAGNOLO SUPER RECORD ROAD GROUP 4000/F

- 4011** Pair Super Record large flange quick release road hubs with Titanium spindle (front width 100 mm., rear width 120 mm., flanges with 36 holes, thread  $\varnothing$  35 x 24F.). Upon request furnished with rear hub suitable for 6 sprockets, width 125 mm., flanges with 24 - 28 - 32 - 40 holes, thread  $\varnothing$  34,7 x 1M. or  $\varnothing$  1.370" x 24 Tpi-BSC
- 4012** Super Record large flange front road hub
- 4013** Super Record large flange rear road hub

- 4014** Pair Super Record small flange quick release road hubs with Titanium spindle (front width 100 mm., rear width 120 mm., flanges with 36 holes, thread  $\varnothing$  35 x 24F.). Upon request furnished with hub suitable for 6 sprockets, width 125 mm., flanges with 24 - 28 - 32 - 40 holes, thread  $\varnothing$  34,7 x 1M. or  $\varnothing$  1.370" x 24 Tpi-BSC
- 4015** Super Record small flange front road hub
- 4016** Super Record small flange rear road hub



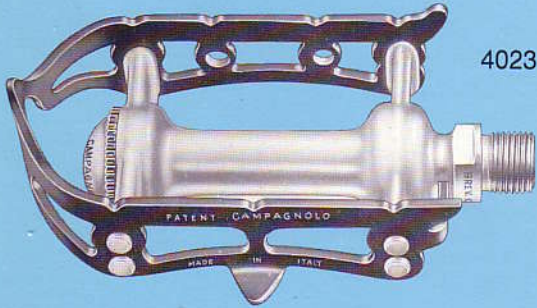
- 1** Front lock nut
- 18** Conical spring
- 25/R** Front cone
- 32/R** Rear cone
- 33** Rear lock nut
- 35** Front hub lock washer
- 36** Rear hub lock washer
- 46** Rear spacing collar
- 59** Quick release conical adjuster
- 60** Quick release cap
- 61** Quick release lever
- 61/1** Spring washer
- 61/2** Grower washer
- 64** Quick release front skewer
- 65** Quick release rear skewer
- 737** Front ball cup
- 738** Rear ball cup
- 739** Front dust cover
- 740** Rear dust cover
- 741** Spring clip
- 1001/3** Complete front quick release skewer for Record hub
- 1006/8** Complete rear quick release skewer for Record hub
- 2104** Set (9+9) special  $\varnothing$  7/32" balls selected with 1/1000 of mm. tolerance
- 2106** Set (9+9) special  $\varnothing$  1/4" balls selected with 1/1000 of mm. tolerance
- 4017** Front hollow Titanium axle for Super Record road hub
- 4018** Rear hollow Titanium axle for Super Record road hub (129 mm. long). Upon request are furnished spindles 132 - 134 and 140 mm. long
- 4019** Complete front axle for Super Record road hub
- 4020** Complete rear axle for Super Record road hub



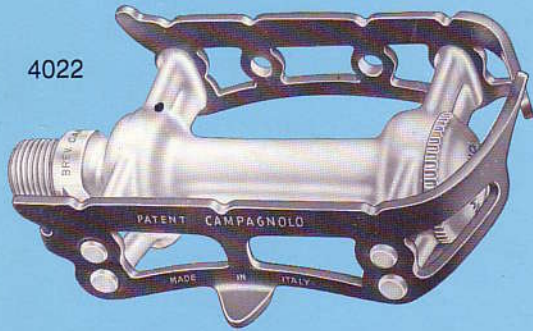
# PARTICULAR COMPONENTS OF CAMPAGNOLO SUPER RECORD ROAD GROUP 4000/F

- |       |  |      |   |
|-------|--|------|---|
| 4021  | Pair Super Record road pedals with Titanium spindle (spindle thread $\varnothing$ 9/16" x 20F.). The pedals are supplied with unassembled screws and washers for fixing toe clips. | 4022 | Super Record right hand road pedal  |
| 89    | Toe clip locking screw for superlight pedals   | 4023 | Super Record left hand road pedal   |
| 673   | Pedal axle washer  | 4024 | Super Record right hand Titanium pedal  |
| 675   | Pedal axle lock nut  | 4025 | Super Record left hand Titanium pedal   |
| 677   | Toe clip washer  | 4026 | Inserted pedal race (available also in oversize)                                      |
| 678   | Inner dust cap   | 4027 | Pedal axle cone   |
| 679/A | Pedal dust cap   | 4028 | Set (64) special $\varnothing$ 1/8" pedal balls selected with 1/1000 of mm. tolerance |

4021



4022



4026



4026



4027



673



675



678



679/A



677



89



4028



4025



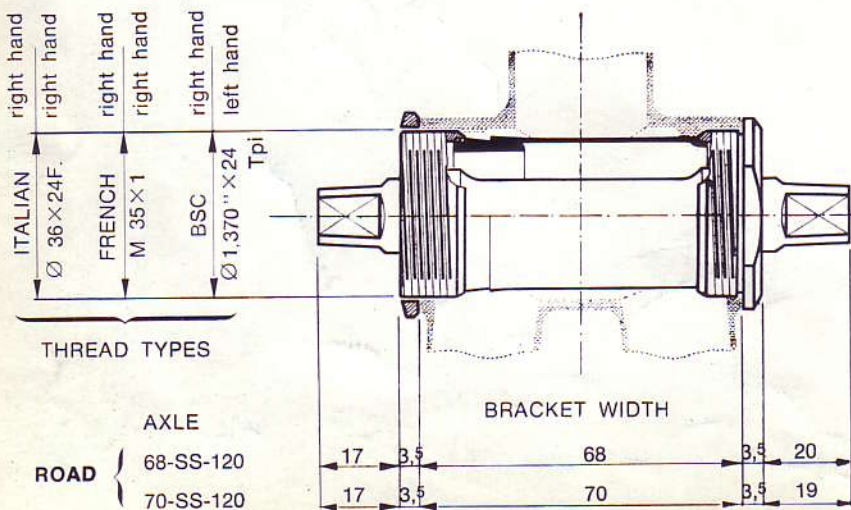
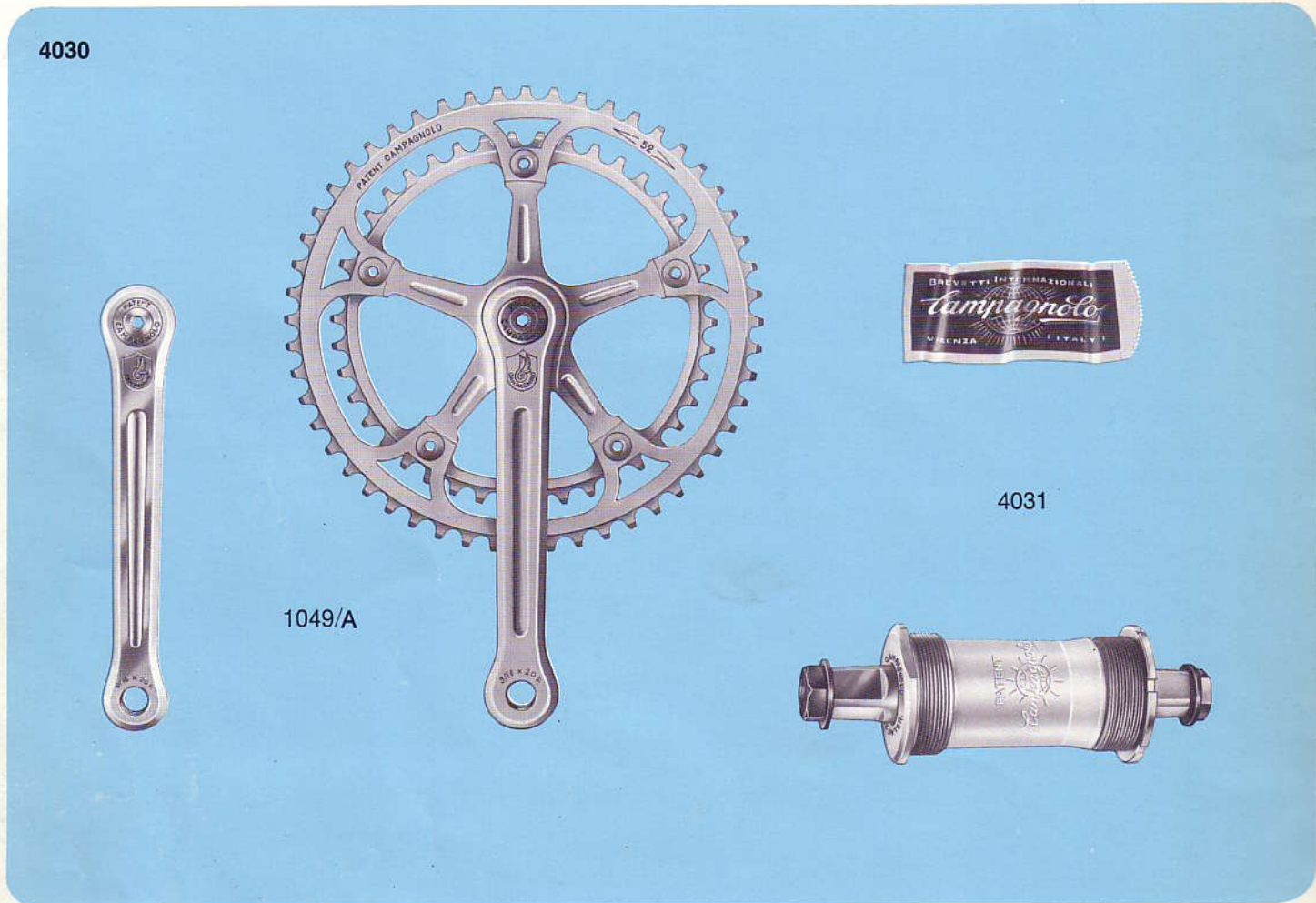
4024



# PARTICULAR COMPONENTS OF CAMPAGNOLO SUPER RECORD ROAD GROUP 4000/F

- 4030 Super Record road chainwheel set
- 1049/A Super Record road chainset (with cranks 170 mm., pedal hole  $\varnothing$  9/16" x 20F. and chainrings for chain 1/2" x 3/32" [2 mm.]). Specify the number of teeth available from 42T to 57T. Upon request furnished cranks with lengths

- 165 - 167,5 - 172,5 - 175 - 177,5 and 180 mm.
- 4031 Super Record bottom bracket road set with Titanium spindle (bracket width 70 mm. and cups threaded  $\varnothing$  36 x 24F.). Lockring with normal 3.5 mm. thickness (available also with 4 mm. and 4.5 mm. thickness) Indicate required thread



Details of bracket number:

- The first number indicates the bracket width
- SS indicates road
- Number 120 indicates the suggested width of the rear hub for a perfect chain alignment (see pages 92-93)

**UPON REQUEST WE SUPPLY THE CUPS WITH THREAD INCREASED BY 0,5 mm.**



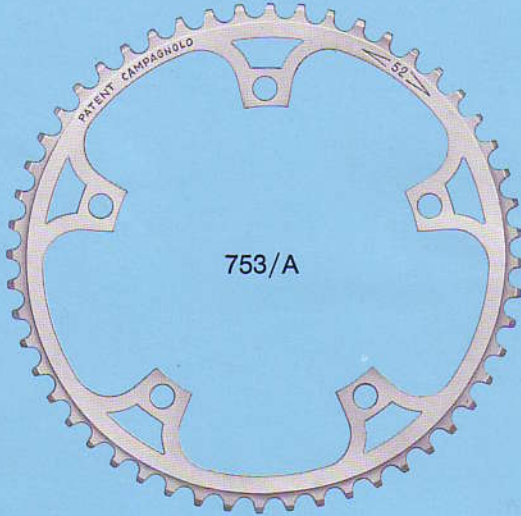
748 Fixing screw  
 749 Fixing washer  
 751 Right hand road crank  
 (complete with cover 756,  
 170 mm. long). Upon request are  
 furnished the following  
 sizes: 165 - 167,5 - 172,5 - 175 -  
 177,5 and 180 mm. long  
 752 Left hand road crank  
 (complete with cover 756,  
 170 mm. long). Upon request are  
 furnished the following

753/A sizes: 165 - 167,5 - 172,5 - 175 -  
 177,5 and 180 mm. long  
 Super Record road chainring for  
 1/2 x 3/32" (2 mm.) chain.  
 Specify the number of teeth  
 available from 42T to 57T  
 754 Road chainwheel fastening screw  
 755 Road chainwheel fastening nut  
 756 Crank cover plate  
 801 Spacer for single chainring  
 2110 Record sleeve  
 2110/1 Cone for sleeve

4032 Super Record cotterless  
 Titanium road spindle.  
 See measurements and indicate  
 spindle size  
 4033 Fixed cup.  
 Indicate required thread  
 4034 Adjustable cup.  
 Indicate required thread  
 4035 Set (14+14) special  $\varnothing$  3/16" b/b  
 balls selected with 1/1000 of  
 mm. tolerance



752



753/A



751



756



755



754



801



2110/1



2110



4035



748



749



747



4034



4032



4033



749



748



# PARTICULAR COMPONENTS OF CAMPAGNOLO SUPER RECORD ROAD GROUP 4000/F

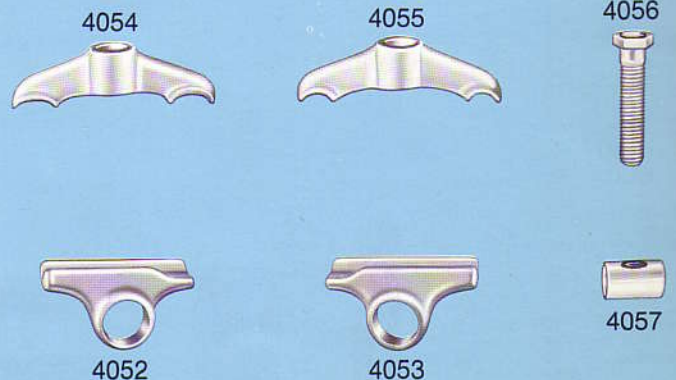
- 4041 Super Record road head set
- 2101 Set (20+20) special b/b  
Ø 3/16" balls selected with  
1/1000 of mm. tolerance
- 4042 Super Record locking nut  
(specify type of threading)
- 4043 Super Record locking washer
- 4044 Super Record screwed road race  
(specify type of threading)

- 4045 Super Record road top head  
race (0,5 mm. larger  
gauge available)
- 4046 Super Record road bottom head  
race (0,5 mm. larger  
gauge available)
- 4047 Super Record road crown race  
(smaller diameter available)

4041



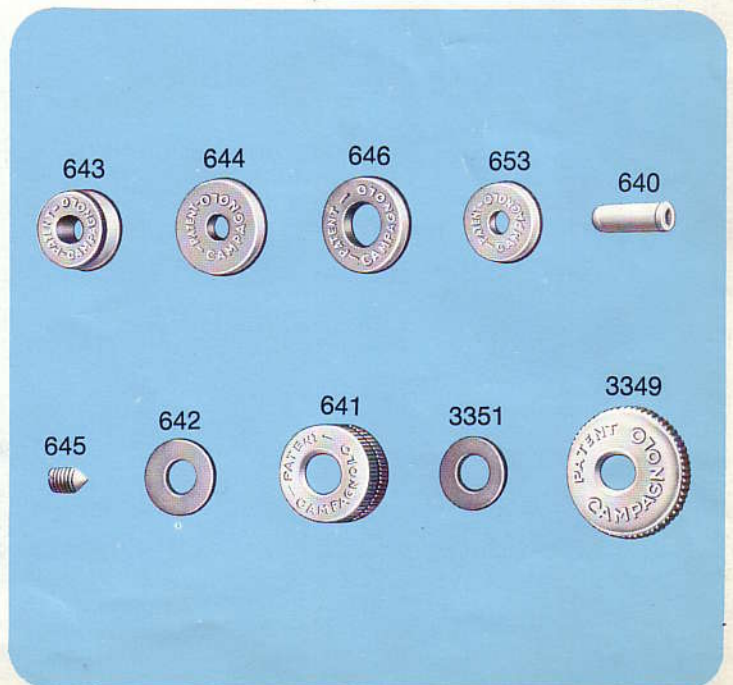
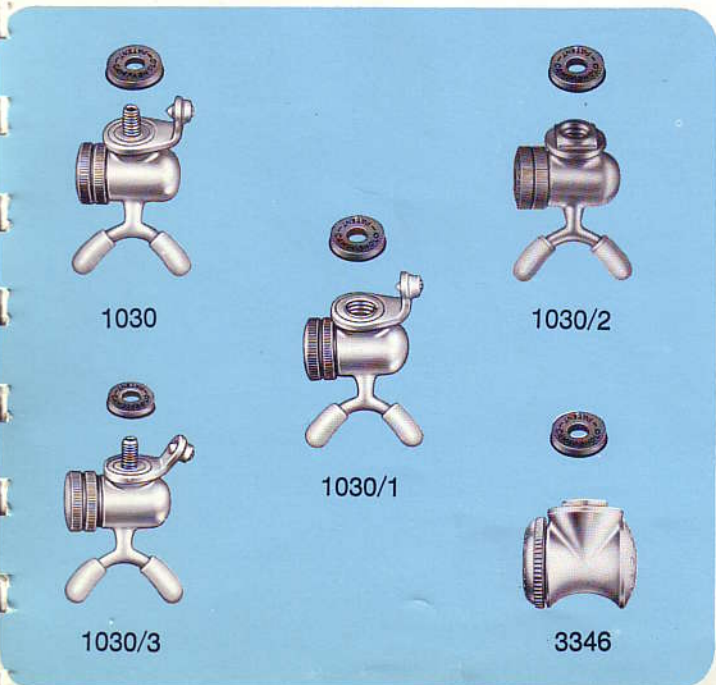
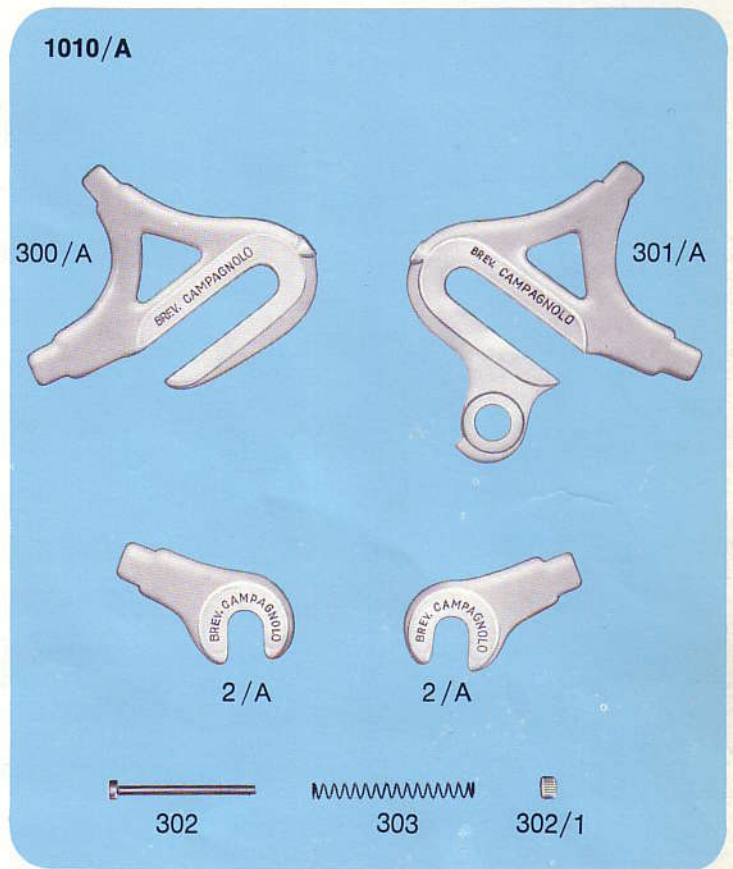
- 4051 Super Record seat pin.  
(pin length 147 mm.)  
Specify diameter stem:  
25 - 25,8 - 26 - 26,2 - 26,4 - 26,6  
26,8 - 27 - 27,2 - 27,4 mm.
- 4052 Left hand side support
- 4053 Right hand side support
- 4054 Front bracket
- 4055 Rear bracket
- 4056 Fixing and adjusting bolt
- 4057 Bolt nut





# PARTICULAR COMPONENTS OF CAMPAGNOLO SUPER RECORD ROAD GROUP 4000/F

- 2/A Record right and left hand front fork ends without eyelet
- 300/A Record left hand rear end without eyelet
- 301/A Record right hand rear end without eyelet
- 302 Adjusting bolt
- 302/1 Nut for bolt 302
- 303 Adjusting bolt spring
- 340 Rubber cap
- 341 Milled nut
- 642 Rubber washer
- 643 Rubber washer for tubular valves
- 644 Rubber washer for pump connector 1030
- 645 Connecting screw
- 646 Rubber washer for pump connectors 1030/1 and 1030/2
- 653 Rubber washer for pump connector 1030/3
- 1010/A Set Record front and rear fork ends without eyelet
- 1030 Pump connector with  $\varnothing$  7/32" or M7 x 1 locking screw
- 1030/1 Pump connector with M9 x 1,25 locking screw
- 1030/2 Pump connector with M9 x 1,25 locking screw
- 1030/3 Pump connector with M5 x 1 or M7 x 1 locking screw (French type)
- 3346 Superlight connector ensemble with square boss (with M9 x 1,25 locking screw)
- 3349 Cover for superlight pump connector
- 3351 Washer for superlight pump connector

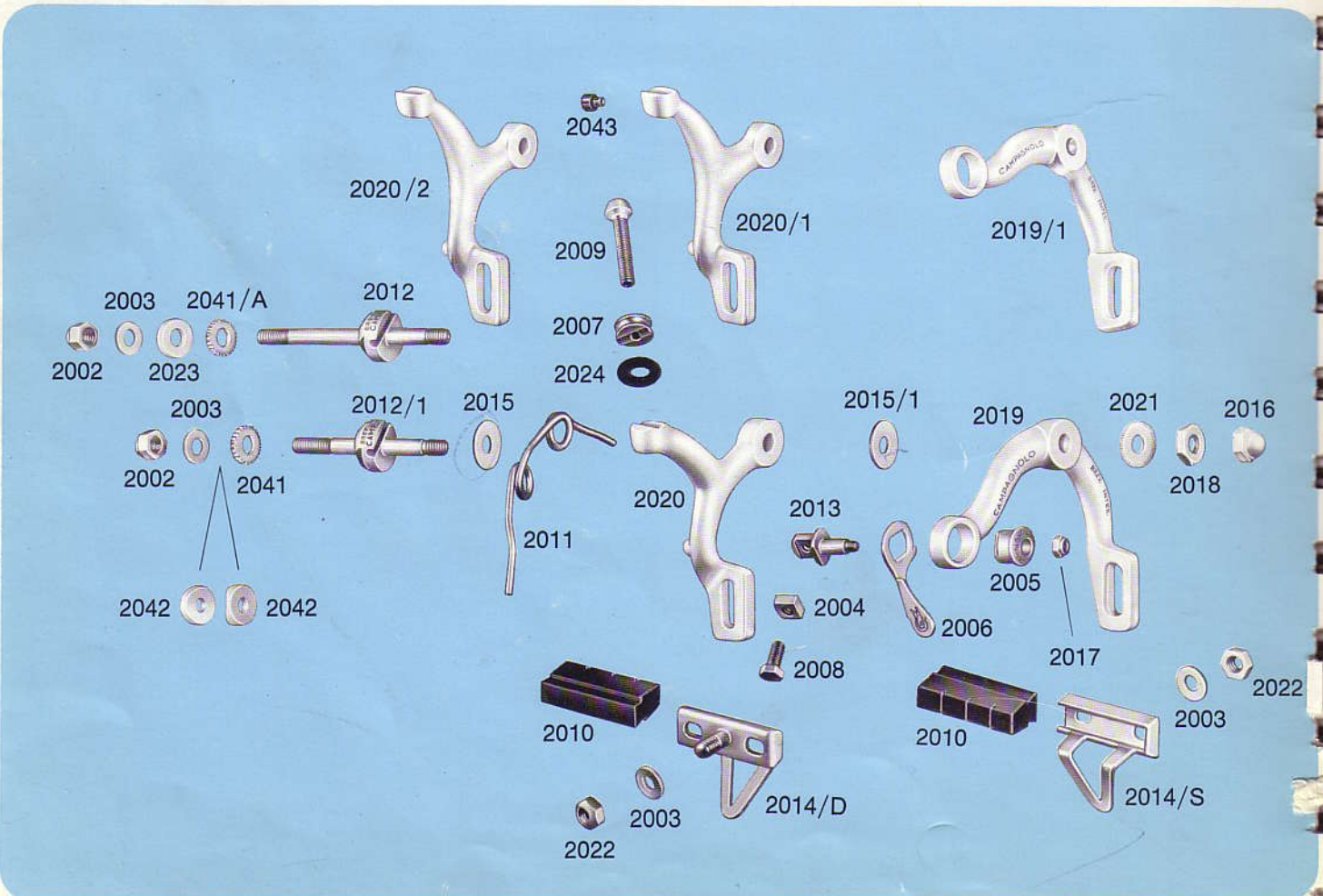
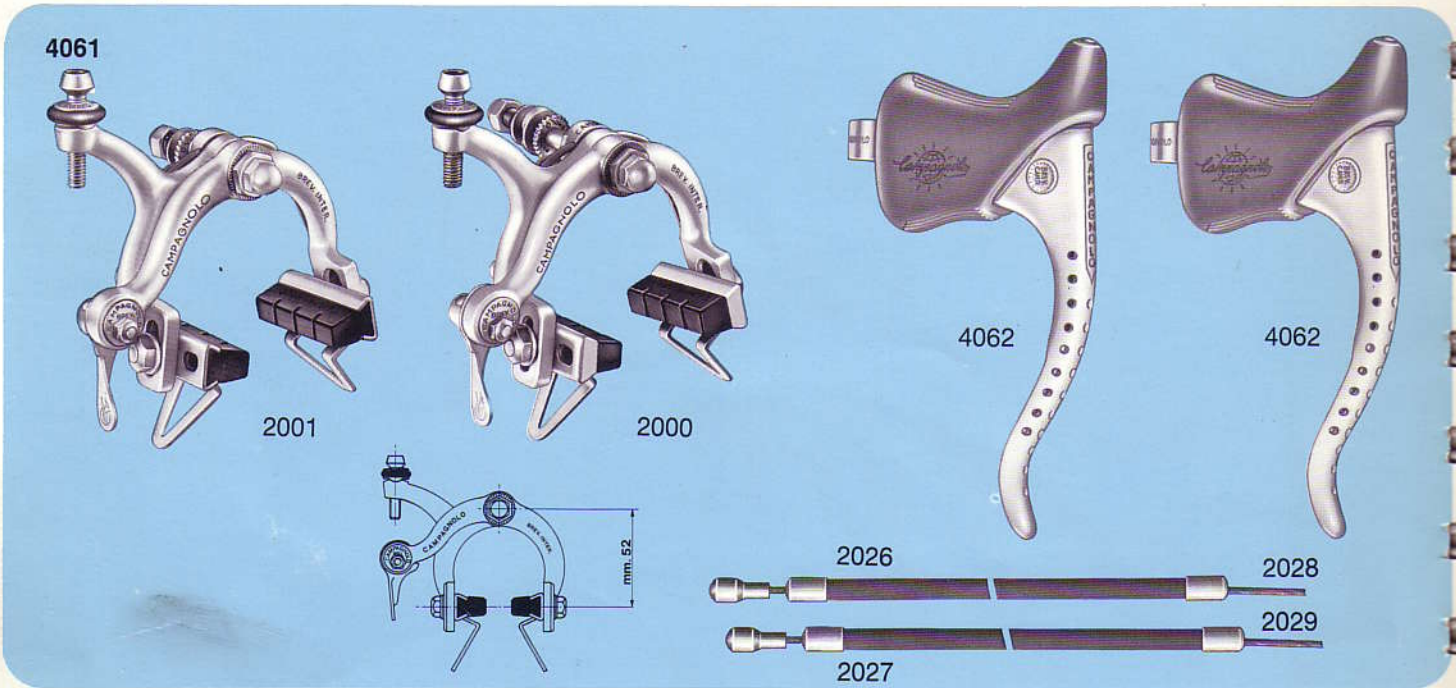




# PARTICULAR COMPONENTS OF CAMPAGNOLO SUPER RECORD ROAD GROUP 4000/F

- 4061 Set Super Record brakes
- 4061/1 Set Super Record small brakes
- 4062 Brake control with drilled levers
- 2000 Front brake
- 2000/1 Small front brake
- 2001 Rear brake
- 2001/1 Small rear brake
- 2002 Centre bolt fixing nut
- 2003 Washer
- 2004 Clamp bolt washer
- 2005 Cam
- 2006 Quick release cam lever

- 2007 Adjusting nut
- 2008 Cable clamp bolt
- 2009 Adjusting screw
- 2010 Brake block
- 2011 Tension spring
- 2012 Front brake center bolt
- 2012/1 Rear brake center bolt
- 2013 Cable clamp
- 2014/D Right hand brake shoe
- 2014/S Left hand brake shoe
- 2015 Friction washer
- 2015/1 Inner friction washer
- 2016 Domed nut





- 2017 Cam locking nut
- 2018 Locking nut
- 2019 Front stirrup
- 2019/1 Small brake front stirrup
- 2020 Rear stirrup
- 2020/1 Small brake front stirrup
- 2020/2 Small brake rear stirrup
- 2021 Milled washer
- 2022 Brake shoe nut
- 2023 Concave washer for front brake
- 2024 Adjusting rubber

- 2026 Front brake outer casing (61 cm.)
- 2027 Rear brake outer casing (119 cm.)
- 2028 Front inner cable (73 cm.)
- 2029 Rear inner cable (131 cm.)
- 2031 Lever hood
- 2033 Brake lever clip
- 2034 Lever pivot pin
- 2036 Grub screw
- 2037 Clamp nut

- 2038 Lever bush
- 2039 Rubber lever hood
- 2041 Serrated washer for rear brake
- 2041/A Serrated washer for front brake
- 2042 Concave washer for rear brake (upon request is furnished for round breast band)
- 2043 Lever rubber for small brake
- 4063 Drilled lever control (complete with cable holder 2035)

