

VALENTINO EXTRA GROUP

page 66

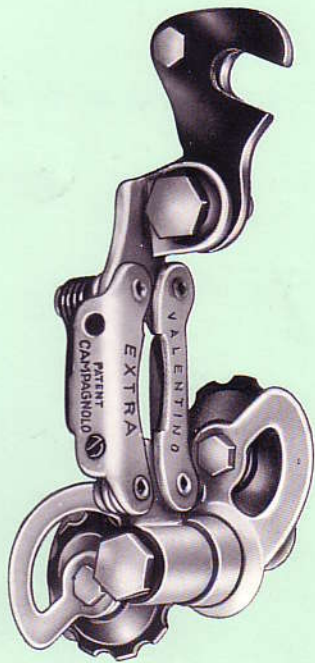
VALENTINO EXTRA GEAR - FRONT CHANGER
WITH ALTERNATIVE VALENTINO CONTROL LEVERS

pages 67-68-69-70

VALENTINO EXTRA GROUP

(Particular components of this group are illustrated from page 67 to page 70)

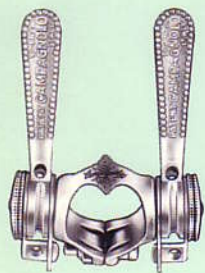
- 606 Down tube control gear inner wire (118 cm.)
- 608 Down tube control front changer inner wire (72 cm.)
- 1206 Valentino twin control lever
- 2050 Front changer
- 2170 Valentino Extra gear with hanger



2170



2050



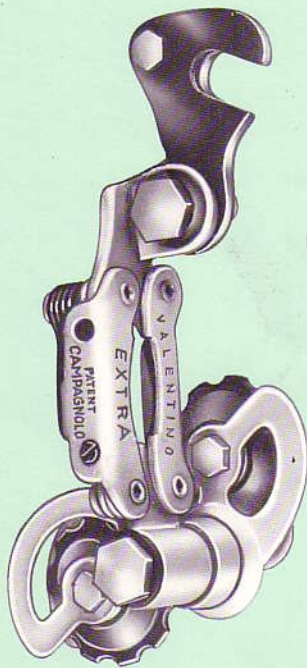
1206

608

606

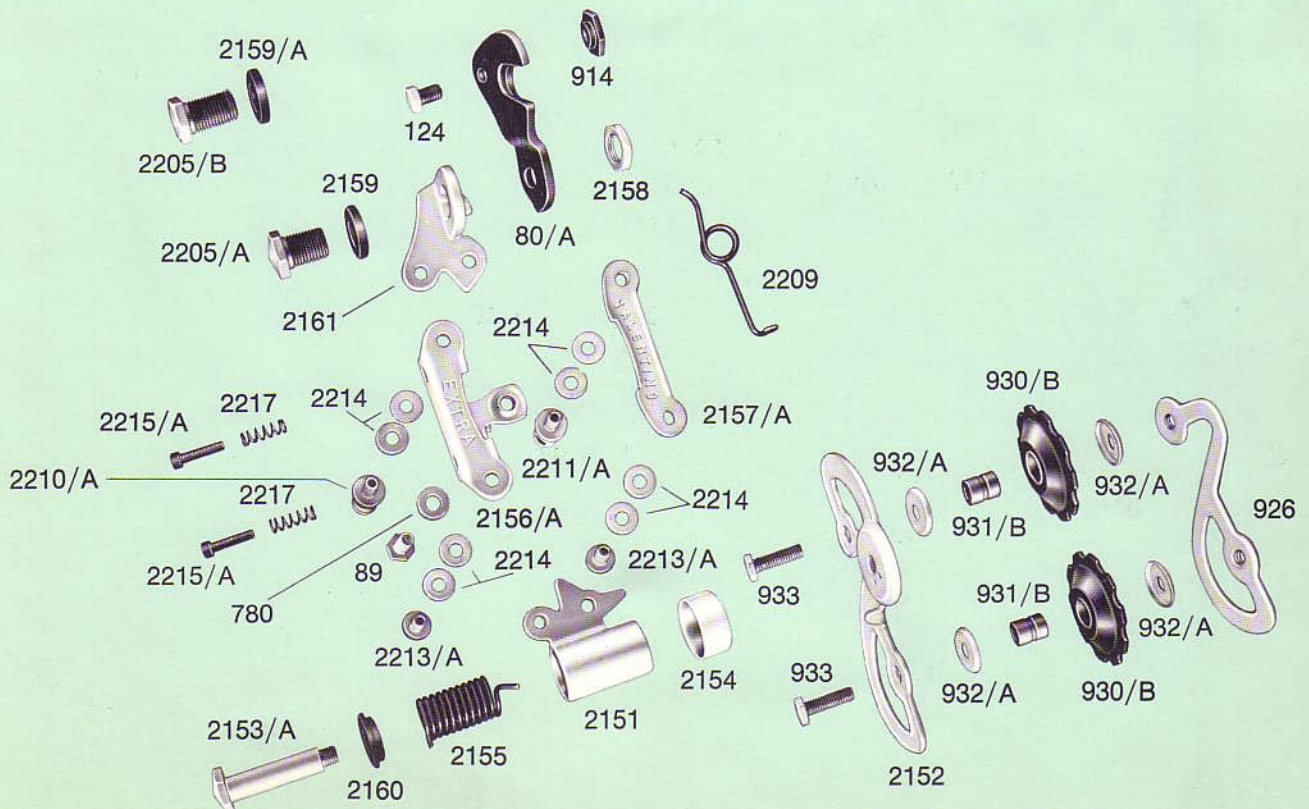


PARTICULAR COMPONENTS OF VALENTINO EXTRA GROUP



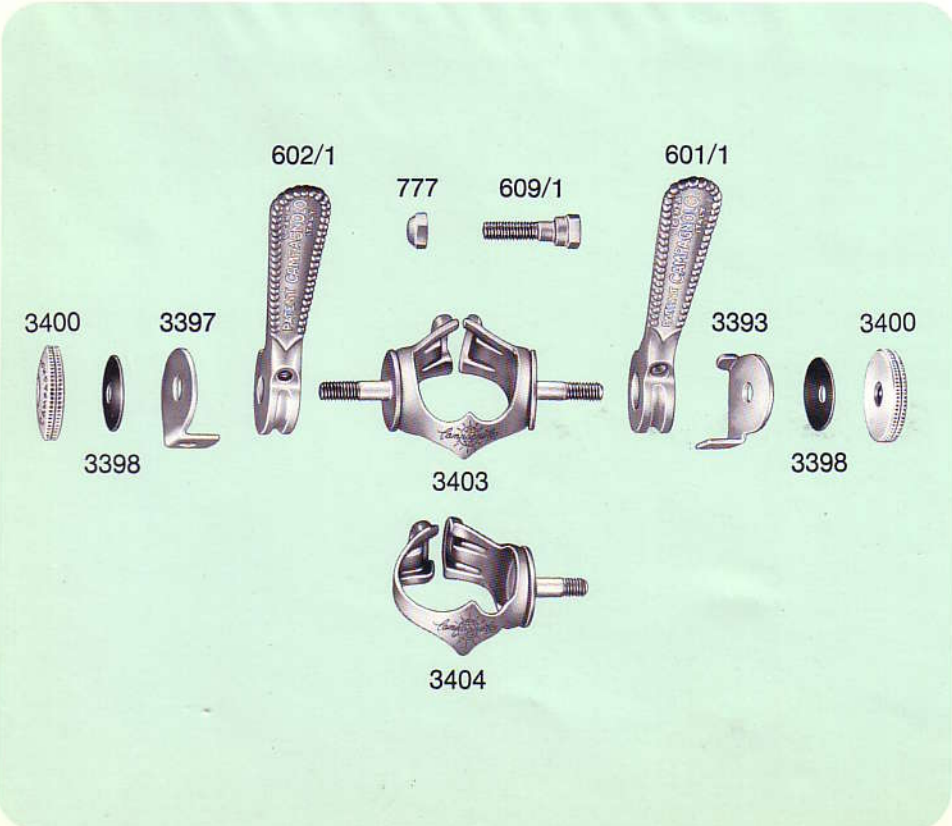
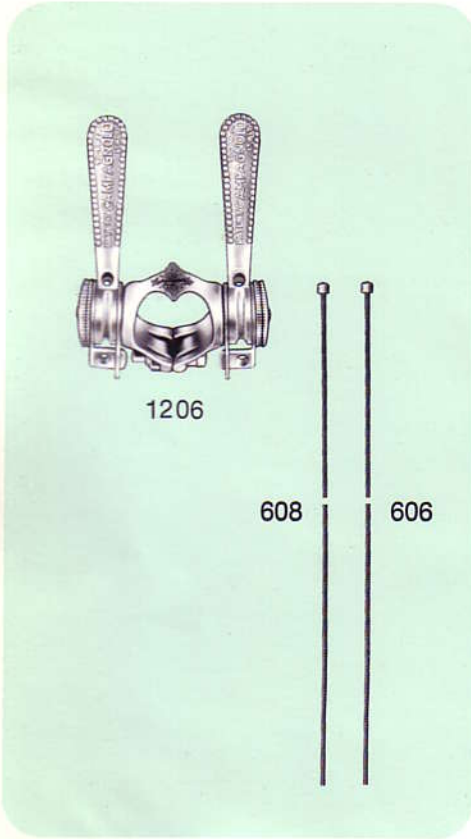
2170

- 2170 Valentino Extra gear with hanger
- 80/A Gear fixing plate
- 89 Locking screw
- 124 Fixing screw
- 780 Cable clamp bolt washer
- 914 Clamp nut
- 926 Inner cage plate
- 930/B Roller
- 931/B Roller bush
- 932/A Roller dust cover
- 933 Roller bolt
- 2151 Spring cage
- 2152 Outer cage plate
- 2153/A Spring cage bolt
- 2154 Cover
- 2155 Gear tension spring
- 2156/A Front arm
- 2157/A Inner arm
- 2158 Gear fixing lock nut
- 2159 Gear hanger bolt
- 2159/A Nylon washer (for gear fixing plate to Record and Sport fork end)
- 2160 Spring cage bush
- 2161 Upper body
- 2205/A Fixing pivot bolt
- 2205/B Upper body bolt (for gear fixing plate to Record fork end)
- 2209 Gear return spring
- 2210/A Return spring spindle
- 2211/A Spindle
- 2213/A Arm rivets
- 2214 Spring washer
- 2215/A Gear adjusting screw
- 2217 Adjusting bolt spring



PARTICULAR COMPONENTS OF VALENTINO EXTRA GROUP

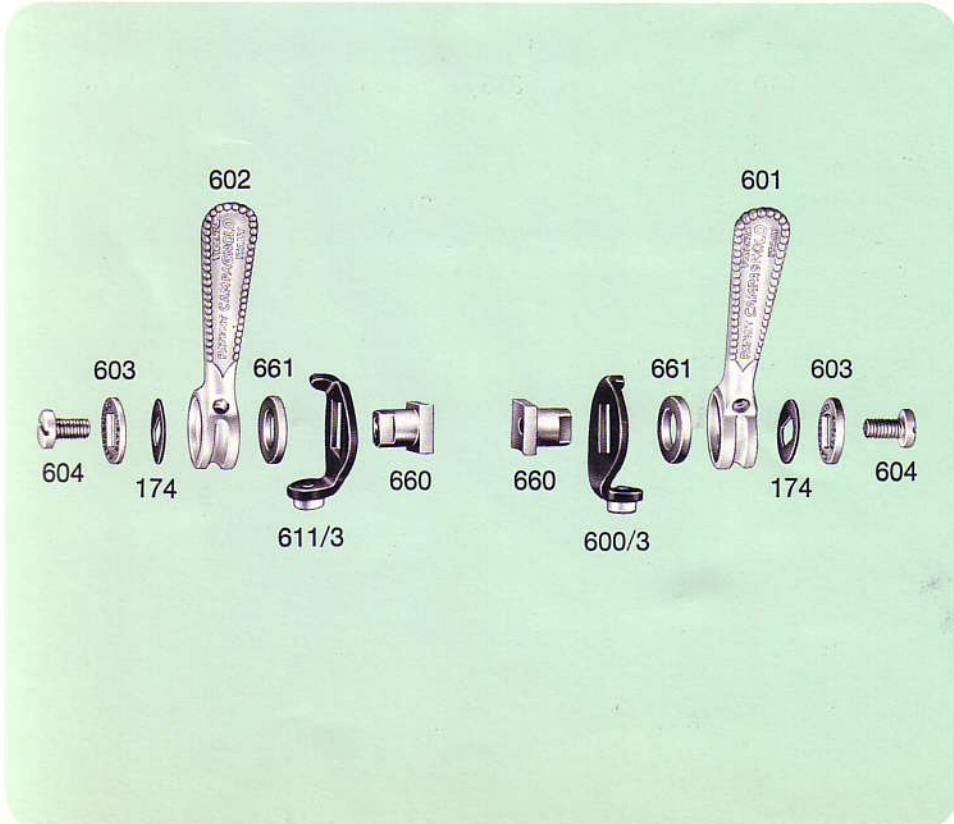
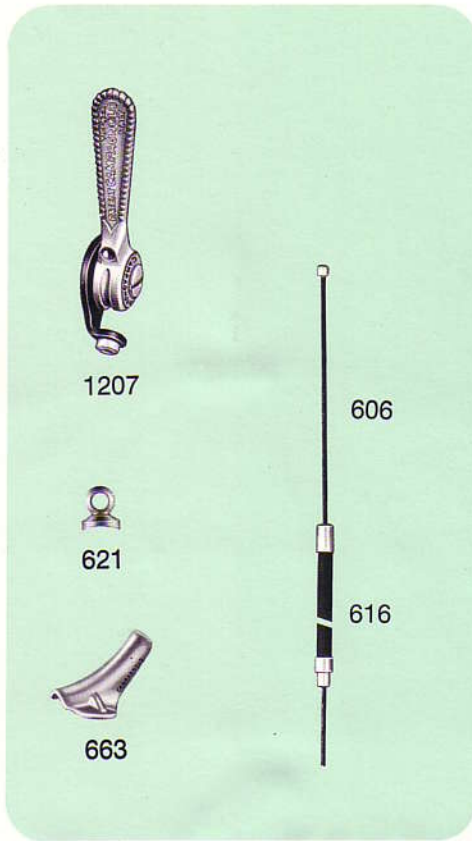
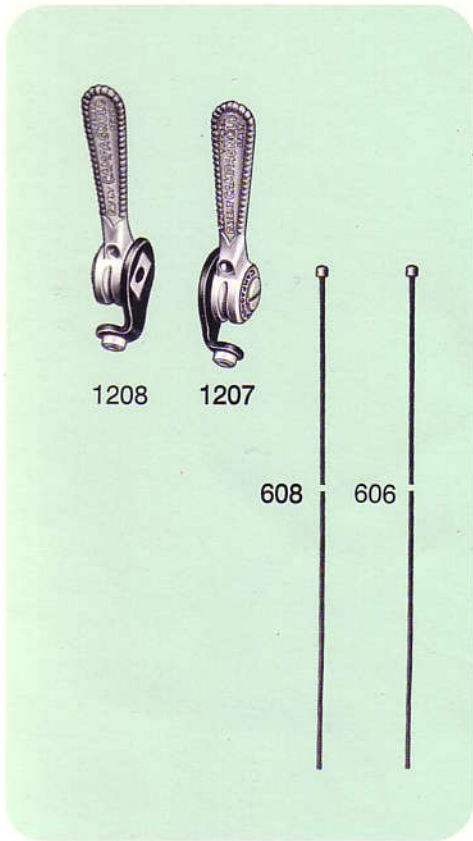
- 1204 Valentino right hand down tube control lever
- 1206 Valentino twin control lever
- 1207 Braze-on gear control
- 1208 Braze-on front changer control
- 174 Friction plate
- 600/3 Right hand braze-on control lever plate with ferrule



- 601 Right hand control lever only
- 601/1 Right hand control lever only
- 602 Left hand control lever only
- 602/1 Left hand control lever only
- 603 Cover plate
- 604 Friction adjusting screw
- 605 Gear outer casing (105 cm.)
- 606 Down tube control gear inner wire (118 cm.)

- 608 Down tube control front changer inner wire (72 cm.)
- 609/1 Fixing clip bolt
- 611/3 Left hand braze-on control lever plate
- 616 Gear vipla outer casing (23 cm.)
- 621 Braze-on cable stop
- 660 Braze-on boss
- 661 Brazed boss collar

- 663 Braze-on cable ferrule
- 777 Nut
- 3393 Right hand toothed washer
- 3397 Left hand toothed washer
- 3398 Elastic washer
- 3400 Toothed nut for Valentino lever
- 3403 Valentino twin control lever clip
- 3404 Valentino right hand lever clip



PARTICULAR COMPONENTS OF VALENTINO EXTRA GROUP

- 2050 Front changer
- 89 Clamp washer
- 210 Body clip bolt
- 211 Body fixing clip
- 213 Fork fixing bolt
- 214 Fork cage
- 217 Nut
- 226 Adjusting bolt spring
- 227 Adjusting lever screw
- 780 Cable clamp bolt washer
- 1601 Front changer body
- 1602 Control fork
- 1603 Spindle
- 1604 Front changer return spring
- 1605 Bolt



2050

